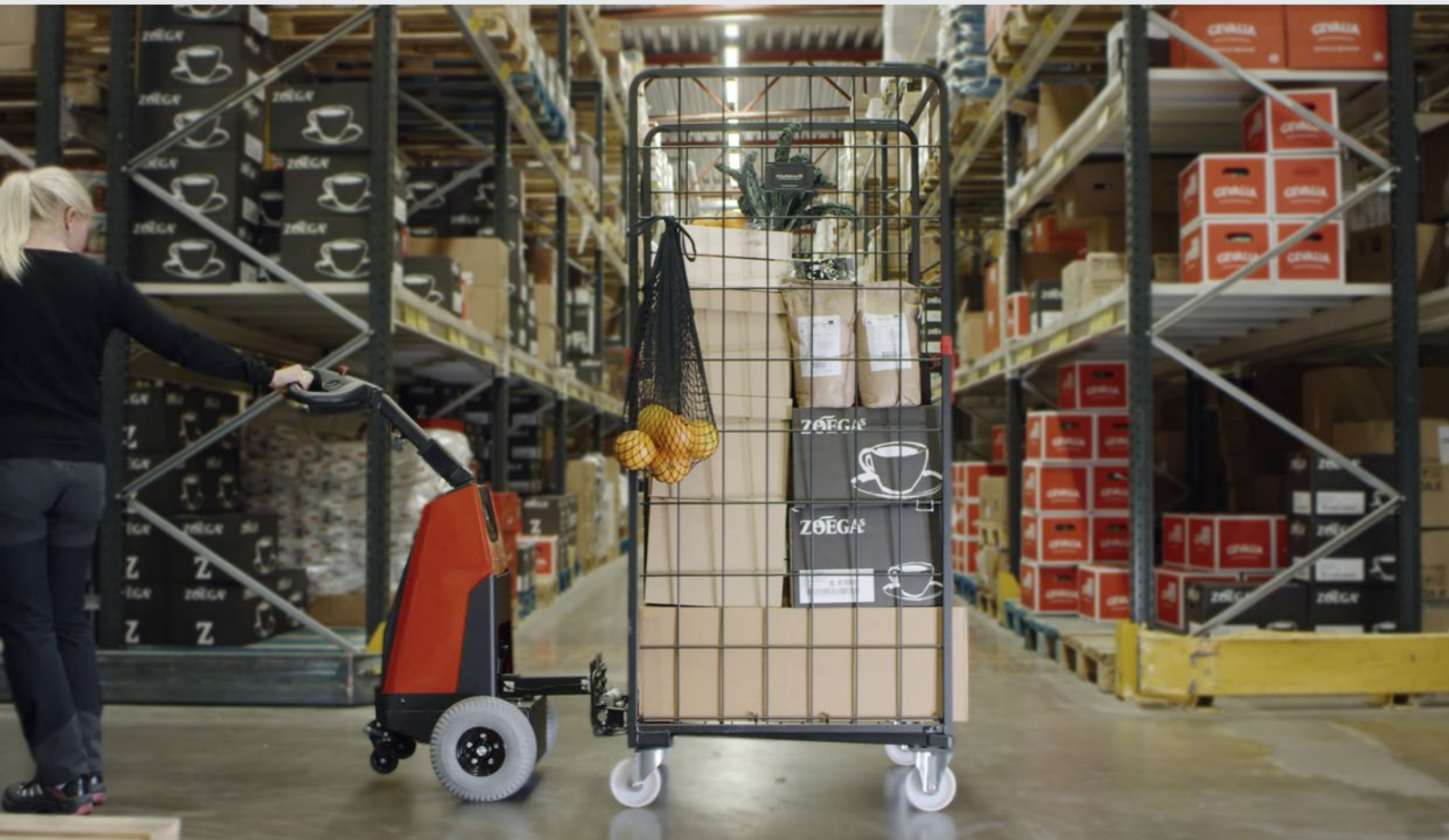


TW-12 WALKIE TRACTOR



TERMS & FUNCTIONS

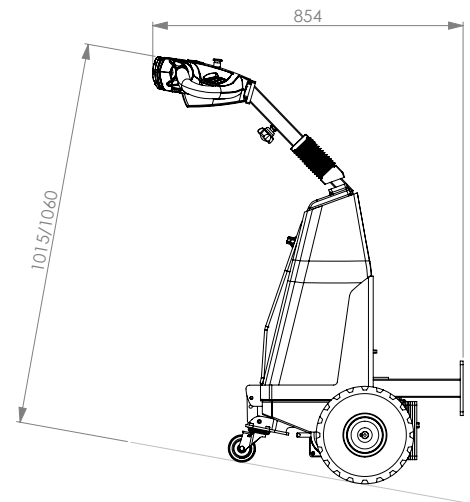
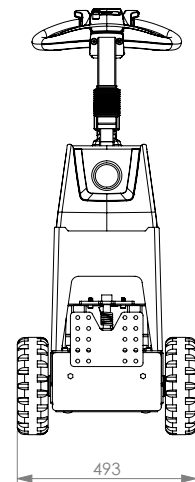
Easy-to-drive towing tractor designed to easily and safely move heavy containers on wheels. The Ergobjörn TW-series is a walkie tractor that facilitates heavy work and helps

prevent risks of damages and accidents. It can handle loads of up to 1.2 tonnes with minimal effort, even on uneven surfaces.



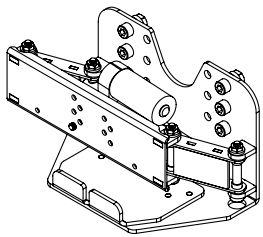
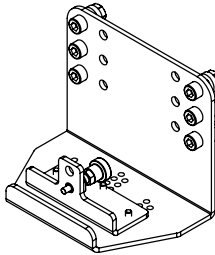
Spykstaal

Tractor specifications				TW-12	
Identification	1.1	Manufacturer		Helge Nyberg	
	1.2	Model		14166212	
	1.3	Drive		Electric	
	1.4	Operator type		Hand	
	1.5	Load capacity	kg	1200	
Wheels	2.1	Service weight with battery	kg	90	
	3.1	Drive wheel		Foam filled	
	3.2	Wheel size, front	mm	Ø 260	
	3.3	Wheel size, rear	mm	Ø 75	
	3.5	Wheels, number front/rear (x=driven wheels)		2x/2	
Dimensions	4.2	Height	mm		
	4.9	Height of tiller arm, min/max	mm	1015/1060	
	4.19	Overall length	mm	854	
	4.21	Overall width	mm	495	
Pref. data	5.1	Travel speed with load, hi/low	km/h	5/2,5	
		Travel speed without load, hi/low	km/h	5/2,5	
Motor	6.1	Motor DC	W	400	
	6.4	Battery voltage	V/Ah	24	
		Programmable motor controller		Curtis	


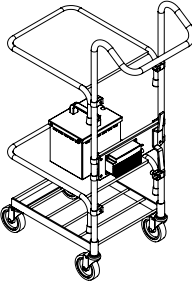
In accordance with VDI Guideline 2198 this specification sheet provides details of the standard tractor only.



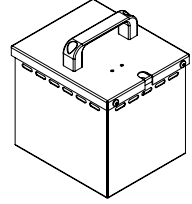
Hooks

			
Art. no. 12264070	Article Standard hook	Art. no. 12264090	Article Electric gripper
Art. no. 12264100	Article Adjustable mechanically locking hook		

Accessories

	
Art. no. 12264110	Article Pin code panel
Art. no. 14174020	Article Battery change trolley

Batteries

Art. no. 12264080	AGM Battery set AGM, 2x 12 V/22Ah, incl. box	
Art. no. 12264085	Charger 24 V/4A	
Art. no. 12264083	Li-ion Battery set Litium, 1x24V/31Ah	
Art. no. 12264087	Charger 24V/15A	



Spijkstaal International B.V.

Mandemakerstraat 150-152
3194 DG Hoogvliet
The Netherlands

T +31 (0)181 45 70 30

E info@spijkstaal.nl

www.spijkstaal.com