

ERGOBJÖRN SCOOTERS X19



PERSONALIZE YOUR SCOOTER

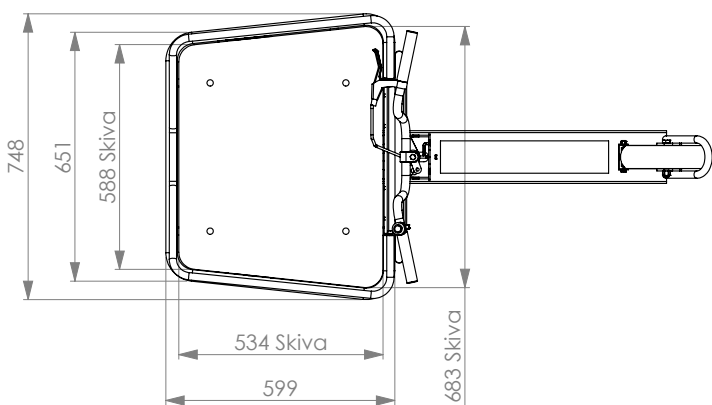
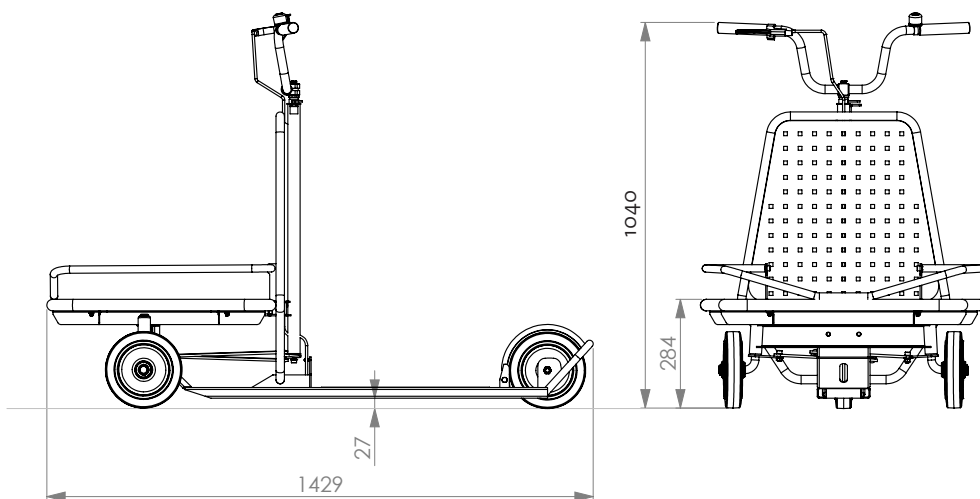
The new scooter model x19 is easy to drive and secure, has a robust design with a good, smooth turning radius.

It is equipped with a strong, friction-raising platform in composite material with tip-up load frame and a tool board.

Complement the built-in tool board with various hooks and holders to get a good overview and easy access to tools and implements. The perforated surface of the board makes it easy to hook, move or remove the accessories as the needs change.



www.spijkstaal.com



SCOOTER MODEL X19

Powder coated tubes in white, silver or black. Maximum load 200 kg. Rubber handles. Platform in black composite material. Three wheels with gray elastic, smudge-free rubber tyres 200x46 mm, ball bearing hub. Bell and handbrake as standard.

Art. No.	Color	Platform dim.	Length	Width	Height to platf.
24 19 91 10	silver	535x590/680	1430	740	285
24 19 91 11	white	535x590/680	1430	740	285
24 19 91 12	black	535x590/680	1430	740	285



www.spijkstaal.com

Spijkstaal International B.V.

Mandemakerstraat 150-152

3194 DG Hoogvliet

The Netherlands

E info@spijkstaal.nl