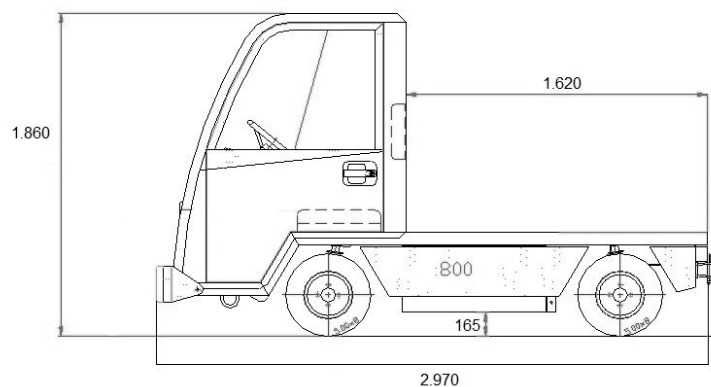




SPIJKSTAAL 800

The Spijkstaal electric burden carrier 800 is a robust and powerful vehicle. Due to the modular construction, the Spijkstaal 800 can be equipped with different motors, so that the pulling power and speed can be adjusted. The Spijkstaal burden carrier 800 has a comfortable seat and all-around springs. Even on less even surfaces the Spijkstaal 800 guarantees a pleasant drive. Thanks to its small width, this versatile product is suitable for both indoors and outdoors use. The Spijkstaal burden carrier 800 can be equipped with a roll bar, an open cabin (without doors) and a closed cabin (with doors) in combination with many other options.



SPIJKSTAAL.COM



800		
DRIVE / BATTERY		
Asynchrone AC motor	2.6	kW
Battery voltage	24	V
Battery capacity	540	Ah
PERFORMANCE		
Max. speed	19	km/h
Towing capacity	2,000	kg
Loading capacity	800	kg
Drabar pull	2,175	N
WEIGHT		
Service weight (incl. battery)	670	kg
DIMENSIONS		
Length	2,970	mm
Width	1,030	mm
Height cabin	1,860	mm
Loading platform (l*w)	1,620 * 1,000	mm
Track width rear	850	mm
Wheelbase	1,575	mm
Ground clearance, centre wheelbase	165	mm
Turning radius r1	6,900	mm
TYRES		
Type of tyres	air	
Size of tyres (front & rear)	5.00*8	
REMMEN		
Company brake	hydraulic	
Parking brake	mechanic differential	
OPTIES O.A.		
Air conditioning	Various adjustments	
Flash light	Various couplings	
Radio		

Spijckstaal International B.V.

Mandemakerstraat 150-152

3194 DG Hoogvliet

+31 (0)181457030

info@spijkstaal.nl

SPIJKSTAAL.COM