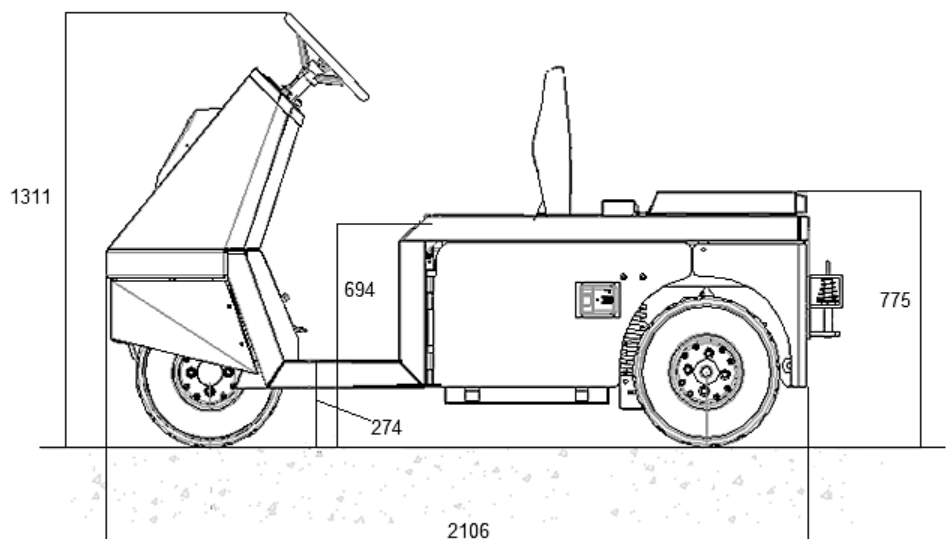




SPIJKSTAAL 306 - 308

The electric tow tractor 306-308 is appreciated for its great stability and indestructibility. The tow tractor can be used for towing loads up to 6,000 kg (306) and 8,000 kg (308) on generally smooth surfaces and slopes. The horizontal battery replacement system makes it easy to replace the empty battery for a full battery in a couple of minutes. The 306-308 cabin is equipped with two sliding doors which remain within the dimensions of the chassis. Both types have a width of 1,000 mm.





	306	308	
DRIVE / BATTERY			
Asynchrone AC motor	5	10	kW
Battery voltage	24	48	V
Battery capacity	640	320	Ah
Transmission	1:19	1:19	
PERFORMANCE			
Max. speed	16	16	km/h
Pull capacity	6.000	8.000	kg
Max. drawbar pull	5.100	7.000	N
WEIGHTS			
Service weight (incl. batt.)	1.095	1.095	kg
DIMENSIONS			
Length	2.106	2.106	mm
Width	1.000	1.000	mm
Height (with cabine)	1.810	1.810	mm
Track width rear	840	840	mm
Wheelbase	1.480	1.480	mm
Ground clearance, centre of wheelbase	100	100	mm
Turning radius	2.105	2.105	mm
TYRES / SUSPENSION			
Tyre size, front	5.00*8	5.00*8	
Tyre size, rear	5.00*8	5.00*8	
Suspension front	Helical spring with shock absorber		
Suspension rear	Helical spring with shock absorber		
BRAKES			
Service brake	Hydraulic operated disc brakes		
Parking brake	Electromagnetic brake		
OPTIONS E.G.			
Flash light	Cabine		
Various trailer couplings	Pneumatic tyres		
Blue Spot			

Spijksaal International B.V.
Mandemakerstraat 150-152
3194 DG Hoogvliet
+31 (0)181457030
info@spijkstaal.nl

SPIJKSTAAL.COM